



MORE VERSATILE AND CONVENIENT FLOW CONTROL

GORE AME-Clamps enable convenient flow metering or precise flow closure within tubing systems for bioprocessing operations. These lightweight single-use clamps are easy to install over tubing, and the locking screw is fully adjustable using just one hand. GORE AME-Clamps are designed for process flexibility: they will perform reliably on silicone, braided silicone or TPE tubing with outer diameters of up to one inch. The clamps' smooth contours also facilitate initial cleaning.



Designed for one-handed operation, the fully-adjustable GORE AME-Clamp provides convenient flow-metering or reliable flow-closure for multiple bioprocess tubing sizes and materials.

Key Features and Benefits

- Fully adjustable for precise flow metering.
- Easy to clean during initial wipe-down.
- Convenient single-hand operation.
- Easy to install over tubing.
- Light weight: only 44 g.

Material Set

- Polysulfone

Quality Statement / ISO Class 8 Cleanroom

- Manufacturing, assembly and packaging operations for GORE AME-Clamps are conducted in a cleanroom environment that employs a non-viable particulate monitoring program consistent with particle levels as defined for ISO 8 designation.
- GORE AME-Clamps are manufactured, assembled and packaged in a manner that adheres to relevant Good Manufacturing Processes as defined in the Gore PharmBIO quality system, which is certified to ISO 13485 and ISO15378.
- Please contact Gore for current quality control information.

Intended Use

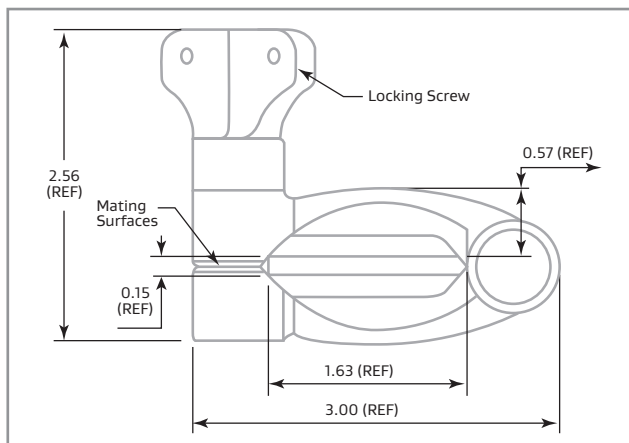
Designed for tubing closure or flow metering for use with silicone, braided silicone or TPE tubing.

Recommended Tubing Size Range

Wall Thickness	1/8" to 3/16" (3.18 mm to 4.76 mm)
Outer Diameter	up to 1" (up to 25.40 mm)

Ordering Information

Package Quantity	Part Number
10-Pack	AMS-4232/10PK
50-Pack	AMS-4232/50PK



Gore PharmBIO Products

Our technologies, capabilities, and competencies in fluoropolymer science are focused on satisfying the evolving product, regulatory, and quality needs of pharmaceutical and bioprocessing customers, and medical device manufacturers. The products in the Gore PharmBIO Products' portfolio, are tested and manufactured under stringent quality systems. These high-performance products provide creative solutions to our customers' design, manufacturing, and performance-in-use needs.

All technical information and advice given here is based on our previous experiences and/or test results. We give this information to the best of our knowledge, but assume no legal responsibility. Customers are asked to check the suitability and usability of our products in the specific applications, since the performance of the product can only be judged when all necessary operating data is available. Gore's terms and conditions of sales apply to the purchase and sale of the product.

GORE, *Together, improving life*, and designs are trademarks of W. L. Gore & Associates. © 2023 W. L. Gore & Associates, Inc.

Americas | W. L. Gore & Associates, Inc.
402 Vieve's Way • Elkton, MD 21921 • USA
Phone: +1 410 506 1715 • Toll-free (US): 1 800 294 4673
Email: pharmbio@wlgore.com

Europe | W. L. Gore & Associates, GmbH
Wernher-von-Braun-Strasse 18 • 85640 Putzbrunn, Germany
Phone: +49 89 4612 3456 • Toll free: 0 800 4612 3456
Email: pharmbio_eu@wlgore.com

