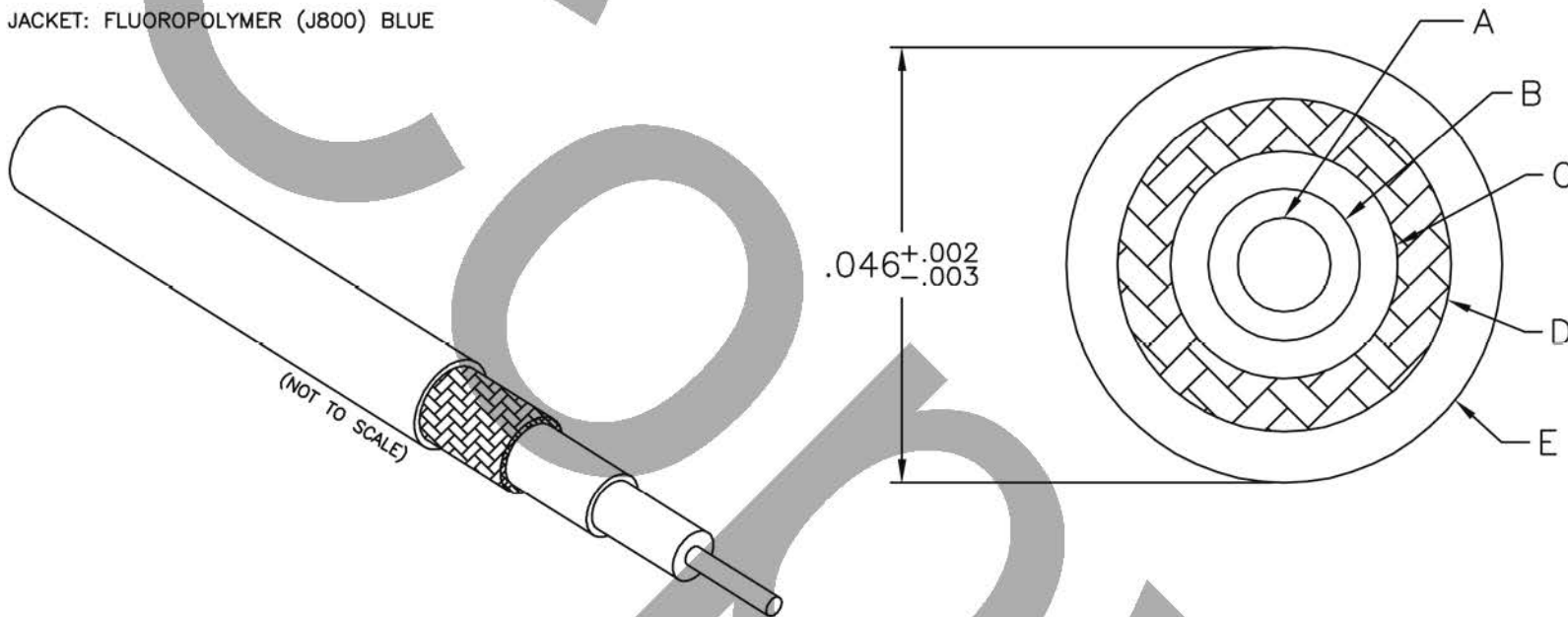


- CONSTRUCTION: FIBER OPTIC, MULTI-MODE
- A. FIBER: 62.5/125/250 (125°C RATED)
 - B. BUFFER: ePTFE
 - C. INNER JACKET: FLUOROPOLYMER (J800) BLUE
0.005 +0.001/-0.002 NOM. WALL
DIAMETER: 0.024 +0.002/-0.005
 - D. STRENGTH MEMBER: KEVLAR™
 - E. OUTER JACKET: FLUOROPOLYMER (J800) BLUE

REVISIONS			
REV	DESCRIPTION	DATE	CHG'D BY
A	PRODUCTION RELEASE	29 APR 2005	-



(NOT TO SCALE)

.046^{+.002}/_{-.003}

Valid only at time of printing

KEVLAR™ IS A REGISTERED TRADEMARK OF DUPONT

ALL NOMINAL DIMENSIONS HAVE A TOLERANCE OF ± 10%	
DIMENSIONS ARE IN INCHES	UNLESS OTHERWISE SPECIFIED
DO NOT SCALE DRAWING	.X ± n/a
DEBURR SHARP EDGES	.XX ± n/a
	.XXX ± n/a
	.XXXX ± n/a
	FRACTIONS ± n/a
	ANGLES ± n/a
	SURFACE TEXTURE n/a ✓
	BREAKS AND FILLETS n/a MAX



W. L. GORE & ASSOCIATES, INC. (Gore)
Electronic Products Division
NEWARK, DELAWARE 19711 302/738-4880
© 2005 W. L. Gore & Associates, Inc.

By acceptance of this document you agree that all rights to drawings, specifications, processes and other data contained therein, as well as the proprietary and novel features of the subject matter, are reserved by Gore and are disclosed in confidence. They are not to be manufactured, used, sold or disclosed to others, nor are devices embodying such features or information derived from these disclosures to be used or disclosed, unless and until expressly authorized by Gore. These drawings, specifications, processes, etc., are and remain the property of Gore and are not to be copied or reproduced without express permission, and are to be returned upon request therefor.

Title				1.2mm SIMPLEX			
Dwg Size	Sheet	Scale	Checked By	Drawn By	Rev Date	Rev Level	
A	1 of 1	50:1		ECL	29 APR 2005	A	
Drawing Number			FON1371				