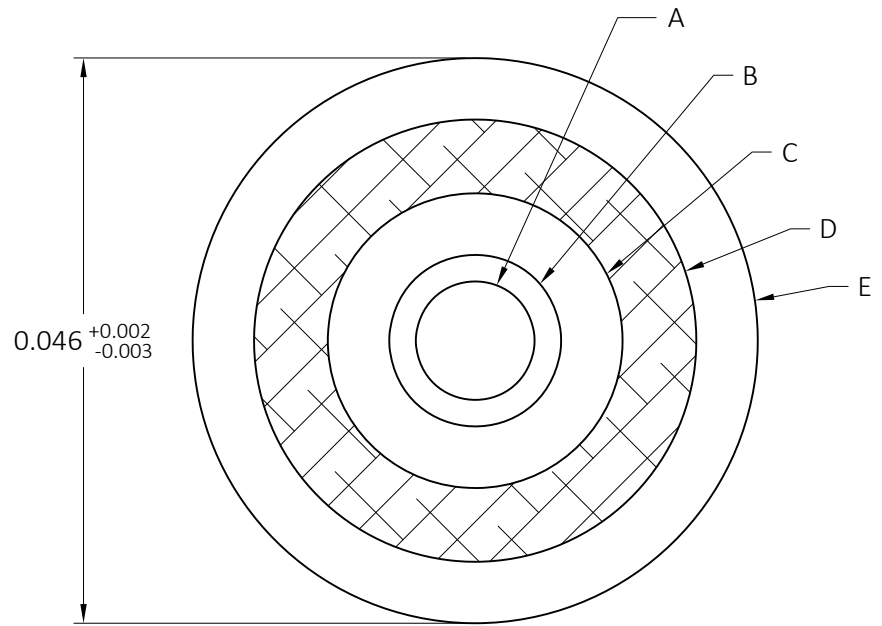


CONSTRUCTION (SINGLE-MODE FIBER OPTIC):

- A. FIBER: NUFERN R1310-HTA OPTICAL FIBER (125°C RATED)
- B. BUFFER: ePTFE
- C. INNER JACKET: (0.005) WALL BLUE FEP  
DIAMETER:  $0.024^{+0.002}_{-0.005}$
- D. STRENGTH MEMBER: KEVLAR®
- E. OUTER JACKET: BLUE FEP

| REVISIONS |  |             |          |
|-----------|--|-------------|----------|
| Rev       | Description  | Date        | Chg'd By |
| A         | Changed Fiber Type and Removed Min. Shipping Lengths | 01 AUG 2001 | ED KOZ   |
| B         | EM2 ECO - 8711 D.Dixon                               | 14 JAN 2019 | TKG      |
| C         | EM2 ECO - 10272 T.Sharp                              | 25 MAR 2021 | DED      |



Kevlar® is a registered trademark of E. I. du Pont de Nemours and Company.

| PARENTHESES DENOTE REFERENCE DIMENSIONS                       |                            | GORE   |                | W. L. GORE & ASSOCIATES, INC. (Gore)<br>Performance Solutions Division<br>101 Lewisville Road, Elkton, MD 21921 410 / 392-3300<br>© 2001, 2021 W. L. Gore & Associates, Inc. |                      |        |
|---|----------------------------|--|----------------|--|----------------------|--------|
| DIMENSIONS ARE IN INCHES                                      | UNLESS OTHERWISE SPECIFIED | By acceptance of this document you agree that all rights to drawings, specifications, processes and other data contained therein, as well as the proprietary and novel features of the subject matter, are reserved by Gore and are disclosed in confidence. They are not to be manufactured, used, sold or disclosed to others, nor are devices embodying such features or information derived from these disclosures to be used or disclosed, unless and until expressly authorized by Gore. These drawings, specifications, processes, etc., are and remain the property of Gore and are not to be copied or reproduced without express permission, and are to be returned upon request therefor. |                |  |                      |        |
| DO NOT SCALE DRAWING  | .X ± N/A                   | Title<br><b>1.2mm SIMPLEX</b>  |                |  |                      |        |
| DEBURR SHARP EDGES  | .XX ± N/A                  |  |                |  |                      |        |
|   | .XXX ± N/A                 |  |                |  |                      |        |
|   | FRACTIONS ± N/A            | Dwg Size   | Sheet          | Scale  | Associated Documents | Drawn  |
| Third Angle Projection  | ANGLES ± N/A               | A  | 1 of 1         | 64:1   | N/A                  | ED KOZ |
| INTERPRET DRAWING IN ACCORDANCE WITH ASME Y14.5M-1994 (R1999) | SURFACE TEXTURE N/A ✓      | Rev Date   | Drawing Number | Rev Level  |                      |        |
|   | BREAKS AND FILLETS N/A MAX | 25 MAR 2021  | FON1253        | C  |                      |        |