

CONSTRUCTION: QUAD CABLE

A. SINGLES (4 PLACES):

CONDUCTOR: AWG 26(19 / 38)

SILVER PLATED HIGH STRENGTH COPPER ALLOY

INSULATION: PTFE OVER ePTFE

0.042 MAX OD PER SINGLE

COLORS: RED x GREEN, BLUE x ORANGE

B. FILLER: FEP (0.015) OD

C. BINDER: ePTFE

D. SHIELD: AWG 38(1) SPC BRAID 92% MIN COVERAGE

**E. JACKET: 0.003 MIN WALL LASER MARKABLE WHITE
ENGINEERED FLUOROPOLYMER (EF100)**

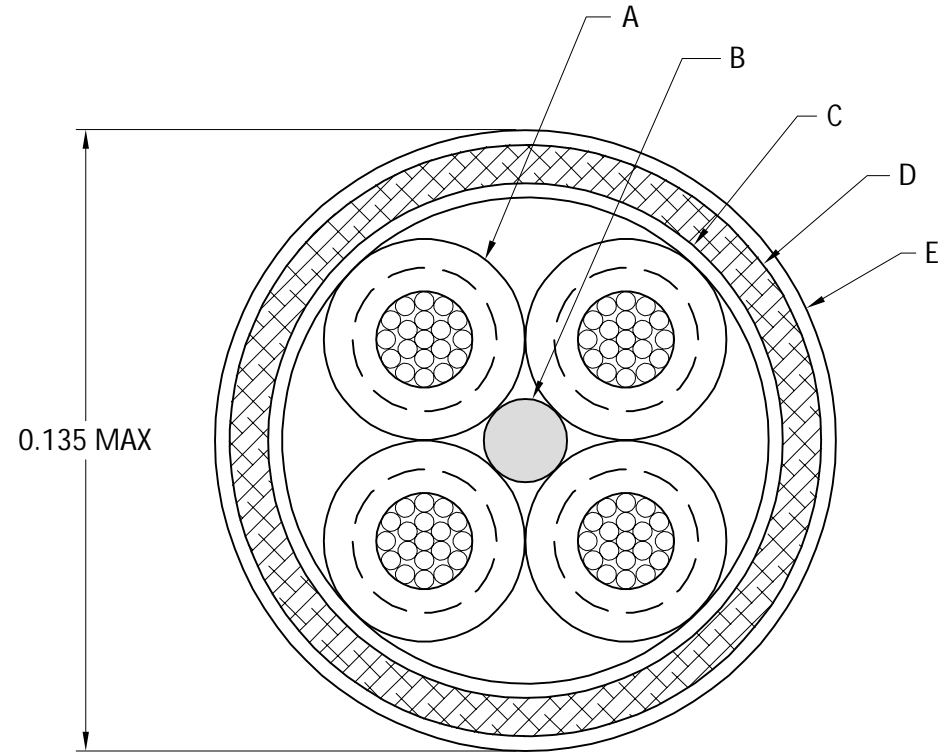
ELECTRICAL REQUIREMENTS (MEASURED ON 50 FT SAMPLE):

1. IMPEDANCE: 100 ±10 Ω MEASURED DIFFERENTIALLY
2. CAPACITANCE: (12.0) pF / FT (BETWEEN PAIRS, GROUND FLOATING)
3. TIME DELAY: (1.29) nSEC / FT
4. ATTENUATION: 10.0 dB / 100 FT MAX @ 100 MHz
15.0 dB / 100 FT MAX @ 250 MHz
21.0 dB / 100 FT MAX @ 500 MHz
32.0 dB / 100 FT MAX @ 1 GHz
5. DIELECTRIC WITHSTANDING VOLTAGE:
1500 V_{RMS} (CONDUCTOR / CONDUCTOR)
1000 V_{RMS} (CONDUCTOR / SHIELD)
6. SKEW: 200 pSEC / 50 FT MAX WITHIN PAIR

NOTES:

1. WEIGHT: 21.0 LB / 1000 FT MAX
2. TEMPERATURE: -55° C TO +200° C
3. MARKING: W L GORE AND ASSOCIATES INC
PART NUMBER [PART NUMBER]
CAGE CODE [CAGE CODE]
4. FUNTIONAL CHARACTERISTICS:
MEETS OR EXCEEDS NEMA - WC27500 SECTION 3.9

REVISIONS			
Rev	Description	Date	Chg'd By
A	Production Release EM2 SPEC - 9270	14 SEP 2010	ECL
B	EM2 ECO - 8223 G.Lawton	15 JUN 2018	TKG
C	EM2 ECO - 8734 N.Reyes	08 FEB 2019	TKG
D	EM2 ECO - 8873 T.Mayer	22 MAR 2019	TKG



PARENTHESES DENOTE REFERENCE DIMENSIONS	
DIMENSIONS ARE IN INCHES	UNLESS OTHERWISE SPECIFIED
DO NOT SCALE DRAWING	.X ± N/A
DEBURR SHARP EDGES	.XX ± N/A
	.XXX ± N/A
	.XXXX ± N/A
	FRACTIONS ± N/A
	ANGLES ± N/A
	SURFACE TEXTURE N/A
	BREAKS AND FILLETS N/A MAX



W. L. GORE & ASSOCIATES, INC. (Gore)
Performance Solutions Division
101 Lewisville Road, Elkton, MD 21921 410 / 392-3300
© 2010, 2019 W. L. Gore & Associates, Inc.

By acceptance of this document you agree that all rights to drawings, specifications, processes and other data contained therein, as well as the proprietary and novel features of the subject matter, are reserved by Gore and are disclosed in confidence. They are not to be manufactured, used, sold or disclosed to others, nor are devices embodying such features or information derived from these disclosures to be used or disclosed, unless and until expressly authorized by Gore. These drawings, specifications, processes, etc., are and remain the property of Gore and are not to be copied or reproduced without express permission, and are to be returned upon request therefor.

Title				
AWG 2619 100 Ω QUAD CABLE				
Dwg Size	Sheet	Scale	Associated Documents	Drawn
A	1 of 1	25:1	N/A	ECL
Rev Date	Drawing Number			Rev Level
22 MAR 2019	RCN8982			D