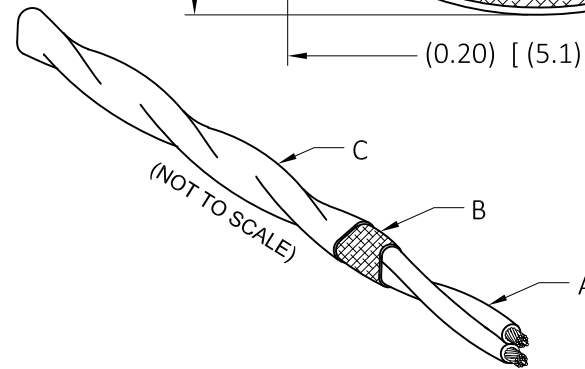
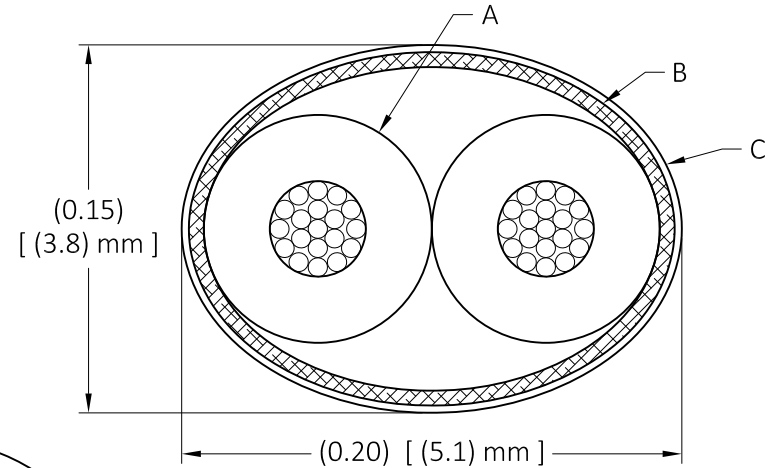


| REVISIONS | | | |
|-----------|---|-------------|----------|
| Rev | Description | Date | Chg'd By |
| B | Update Mechanical and Electrical Data per T.Sharp | 08 NOV 2013 | DED |
| C | EM2 ECO - 7322 M.Frantz and Update Mechanical and Electrical Data per T.Sharp | 15 DEC 2016 | DED |
| D | EM2 ECO - 7349 M.Frantz | 19 JAN 2017 | TKG |
| E | EM2 ECO - 9090 T.Mayer | 25 JUN 2019 | DED |

CONSTRUCTION:

- A. TWISTED SINGLES (2 PLACES)
 CONDUCTOR: AWG 20(19 / 32) SILVER PLATED COPPER
 INSULATION: PTFE OVER ePTFE
 COLORS: WHITE x BLUE, O.D. PER SINGLE (0.094) [(2.39) mm]
 - B. OVERALL SHIELD: AWG 40(1) SPC BRAID 92% MINIMUM COVERAGE
 - C. OVERALL JACKET: (0.003) [(0.076) mm] WALL EF100 PTFE
 COLOR: LASER MARKABLE WHITE
 MARKING: W L GORE AND ASSOCIATES INC
 PART NUMBER DXN2600
 CAGE CODE [CAGE CODE]
- FUNCTIONAL CHARACTERISTICS:
 MEETS OR EXCEEDS NEMA-WC27500 SECTION 3.9



ELECTRICAL REQUIREMENTS:

- 1. IMPEDANCE: 100±10 Ω MEASURED DIFFERENTIALLY
 - 2. TIME DELAY: (1.24) nSEC / FT [(4.07) nSEC / m]
 - 3. VELOCITY OF PROPAGATION: (80%)
 - 4. CAPACITANCE: (13) pF / FT [(42.6) pF / m]
 - 5. TYPICAL ATTENUATION: 4.8 dB / 100 FT @ 100 MHz
 6.8 dB / 100 FT @ 200 MHz
 11.3 dB / 100 FT @ 500 MHz
 16.4 dB / 100 FT @ 1 GHz
- ATTENUATIONS NOT TO EXCEED +10% OF VALUES SHOWN

NOTES:

- 1. MINIMUM BEND RADIUS: 0.98 [25 mm]
- 2. WEIGHT: (21.3) LB / 1000 FT [(31.7) kg / km]
- 3. OPERATING TEMPERATURE: -55° C TO +200° C

| PARENTHESES DENOTE REFERENCE DIMENSIONS | |
|---|----------------------------|
| DIMENSIONS ARE IN INCHES | UNLESS OTHERWISE SPECIFIED |
| DO NOT SCALE DRAWING | .X ± N/A |
| DEBURR SHARP EDGES | .XX ± N/A |
| Third Angle Projection | .XXX ± N/A |
| | .XXXX ± N/A |
| INTERPRET DRAWING IN ACCORDANCE WITH ASME Y14.5M-1994 (R1999) | FRACTIONS ± N/A |
| | ANGLES ± N/A |
| | SURFACE TEXTURE N/A ✓ |
| | BREAKS AND FILLETS N/A MAX |



W. L. GORE & ASSOCIATES, INC. (Gore)
 Performance Solutions Division
 101 Lewisville Road, Elkton, MD 21921 410 / 392-3300
 © 2013, 2019 W. L. Gore & Associates, Inc.

By acceptance of this document you agree that all rights to drawings, specifications, processes and other data contained therein, as well as the proprietary and novel features of the subject matter, are reserved by Gore and are disclosed in confidence. They are not to be manufactured, used, sold or disclosed to others, nor are devices embodying such features or information derived from these disclosures to be used or disclosed, unless and until expressly authorized by Gore. These drawings, specifications, processes, etc., are and remain the property of Gore and are not to be copied or reproduced without express permission, and are to be returned upon request therefor.

| Title | | | | |
|--------------------------------------|----------------|--------|----------------------|-------|
| AWG 2019 100 Ω SHIELDED TWISTED PAIR | | | | |
| Dwg Size | Sheet | Scale | Associated Documents | Drawn |
| A | 1 of 1 | 12.5:1 | N/A | DED |
| Rev Date | Drawing Number | | Rev Level | |
| 25 JUN 2019 | DXN2600 | | E | |