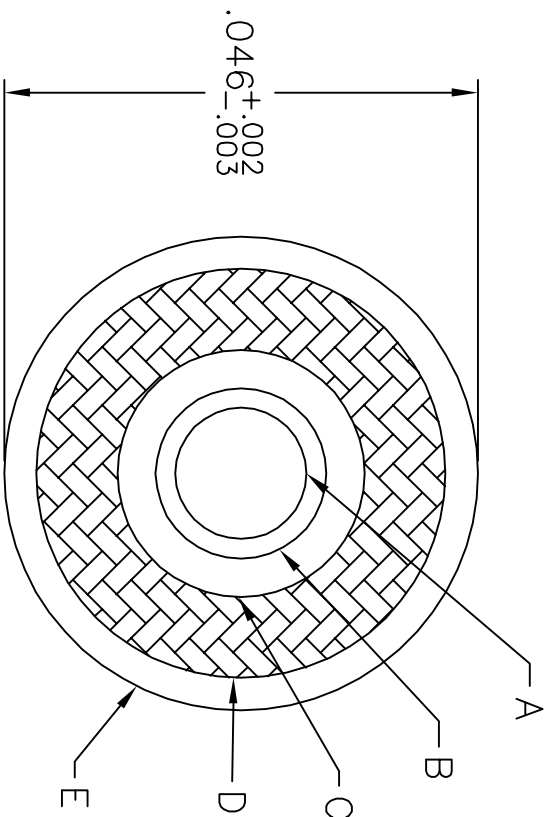
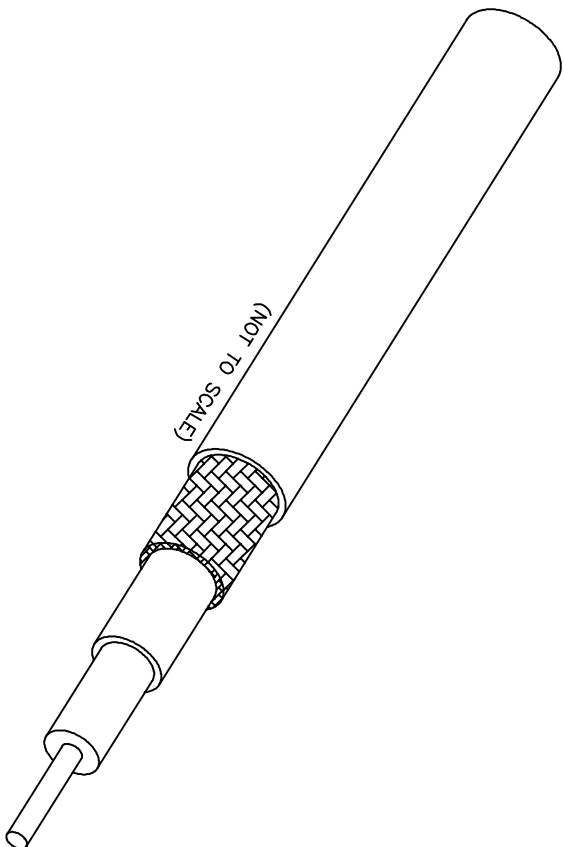


CONSTRUCTION: FIBER OPTIC, MULTI-MODE

- A. FIBER: 50/125/250 um 125C RATED
- B. BUFFER: ePTFE
- C. INNER JACKET: FLUOROPOLYMER (J800), BLUE
NOM. WALL 0.005 +0.001/-0.002
- D. STRENGTH MEMBER: KEVLAR™
NOM. DIAMETER: 0.024 +0.002/-0.005
- E. OUTER JACKET: FLUOROPOLYMER (J800) BLUE



REVISIONS			
REV	DESCRIPTION	DATE	CHGD BY
A	PRODUCTION RELEASE	13 JULY 2007	-

<p>PARENTHESIS DENOTE REFERENCE DIMENSIONS</p> <p>DIMENSIONS ARE IN INCHES</p> <p>DO NOT SCALE DRAWING</p> <p>DEBURR SHARP EDGES</p> <p>Third Angle Projection</p> <p>INTERPRET DRAWING IN ACCORDANCE WITH ASME Y14.5M-1994 (R1999)</p>		<p>UNLESS OTHERWISE SPECIFIED</p> <p>.X ± n/a</p> <p>.XX ± n/a</p> <p>.XXX ± n/a</p> <p>.XXXX ± n/a</p> <p>FRACTIONS ± n/a</p> <p>ANGLES ± n/a</p> <p>SURFACE TEXTURE n/a</p> <p>BREAKS AND FILETS n/a MAX</p>	
<p>By acceptance of this document, you agree that all rights to drawings, specifications, processes and other data contained therein, as well as the proprietary and novel features of the subject matter, are reserved by Gore and are disclosed in confidence. They are not to be manufactured, used, sold or disclosed to others, nor are devices embodying such features or information derived from these disclosures to be used or disclosed, unless and until expressly authorized by Gore. These drawings, specifications, processes, etc. are and remain the property of Gore and are not to be copied or reproduced without express permission, and are to be returned upon request thereto.</p> <p>© 2004 W. L. Gore & Associates, Inc.</p>		<p>1.2mm SIMPLEX</p>	
<p>GORE</p> <p>W. L. GORE & ASSOCIATES, INC. (Gore) Electronic Products Division NEWARK, DELAWARE 19711 302/738-4880</p>		<p>Associated Documents PMWPS - 7383</p>	
<p>Dwg Size A</p> <p>Sheet 1 of 1</p> <p>Scale 50:1</p> <p>Rev Date 13 JULY 2007</p>		<p>Drawn By ECL</p> <p>09 SEP 2004</p> <p>Rev Level A</p>	
<p>Drawing Number</p> <p>FON 1307</p>		<p>FON 1307</p>	