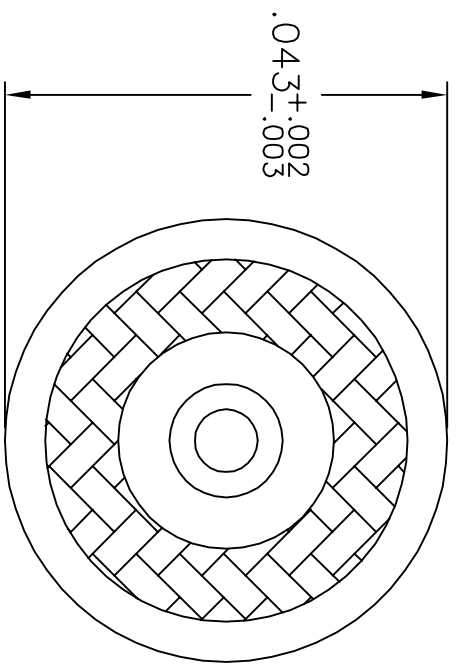
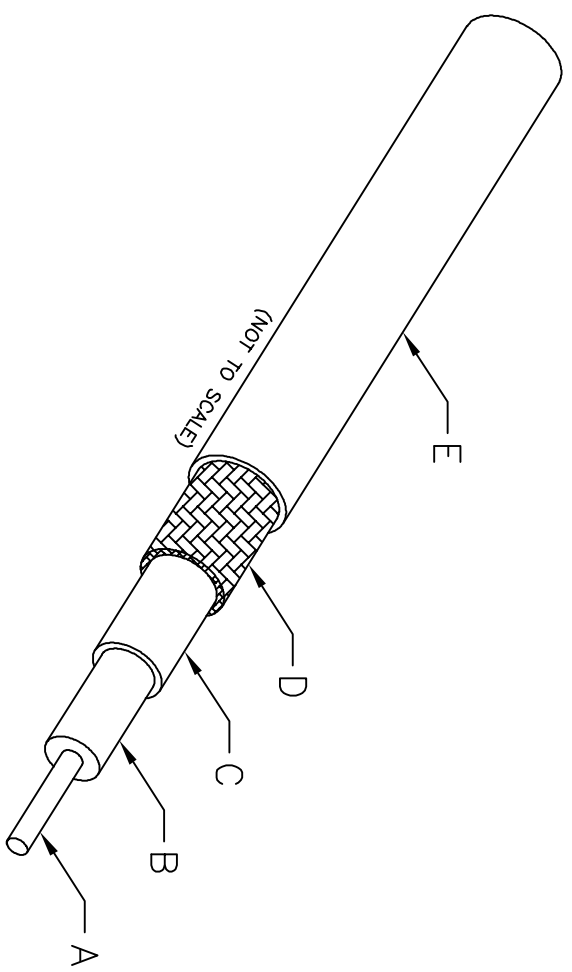


CONSTRUCTION:

- A. FIBER: SPECTRAN TCU-MD062H (155 MICRONS)
- B. BUFFER: ePTFE
- C. INNER JACKET: FLUOROPOLYMER (J800) BLUE
0.005 +0.001/-0.002 WALL
- D. DIAMETER: 0.021 +0.002/-0.005
- E. STRENGTH MEMBER: KEVLAR™
- F. OUTER JACKET: FLUOROPOLYMER (J800) BLUE



REVISIONS			
REV	DESCRIPTION	DATE	CHG'D B
A	REDRAWN: Removed Min Length Requirement	27 JAN 2012	-

PARENTHESES DENOTE REFERENCE DIMENSIONS	
DIMENSIONS ARE IN INCHES	UNLESS OTHERWISE SPECIFIED
DO NOT SCALE DRAWING	.X ± n/a
DEBURR SHARP EDGES	.XX ± n/a
	.XXX ± n/a
	.XXXX ± n/a
	FRACTIONS ± n/a
	ANGLES ± n/a
Third Angle Projection	SURFACE TEXTURE n/a ✓
INTERPRET DRAWING IN ACCORDANCE WITH ASME Y14.5M-1994 (R1999)	BREAKS AND FILETS n/a MAX



W. L. GORE & ASSOCIATES, INC. (Gore)
 Electronic Products Division
 LANDENBERG, PENNSYLVANIA 19350 610/268-1000
 © 2012 W. L. Gore & Associates, Inc.

By acceptance of this document, you agree that all rights to drawings, specifications, processes and other data contained herein, as well as the proprietary and novel features of the subject matter, are reserved by Gore and are disclosed in confidence. They are not to be manufactured, used, sold or disclosed to others, nor are devices embodying such features or information derived from these disclosures to be used or disclosed, unless and until expressly authorized by Gore. These drawings, specifications, processes, etc., are and remain the property of Gore and are not to be copied or reproduced without express permission, and are to be returned upon request therefor.

Title 1.3mm SIMPLEX - MULTI MODE			
Dwg Size	Sheet	Scale	Associated Documents:
A	1 of 1	50:1	PMWPS - 0937
Rev Date	27 JAN 2012		Drawn By ECL
			27 JAN 2012
	Drawing Number		Rev Level
	FON 1003		A

KEVLAR™ IS A REGISTERED TRADEMARK OF DUPONT