

CONSTRUCTION:

- A. TWISTED SINGLES (2 PLACES)
- CONDUCTOR: AWG 30(19 / 42) SILVER PLATED COPPER ALLOY
- INSULATION: ePTFE / PTFE
- COLORS: WHITE x BLUE
- O.D. PER SINGLE (0.030 [0.76mm])
- B. OVERALL SHIELD: AWG 40(1) SPC BRAID 92% MINIMUM COVERAGE
- C. OVERALL JACKET: (0.003 [0.076mm]) WALL EF100 PTFE

COLOR: LASER MARKABLE WHITE
 MARKING: W L GORE AND ASSOCIATES INC
 PART NUMBER DXN2605
 CAGE CODE [CAGE CODE]

FUNCTIONAL CHARACTERISTICS:

MEETS OR EXCEEDS NEMA-WC27500 SECTION 3.9

ELECTRICAL REQUIREMENTS:

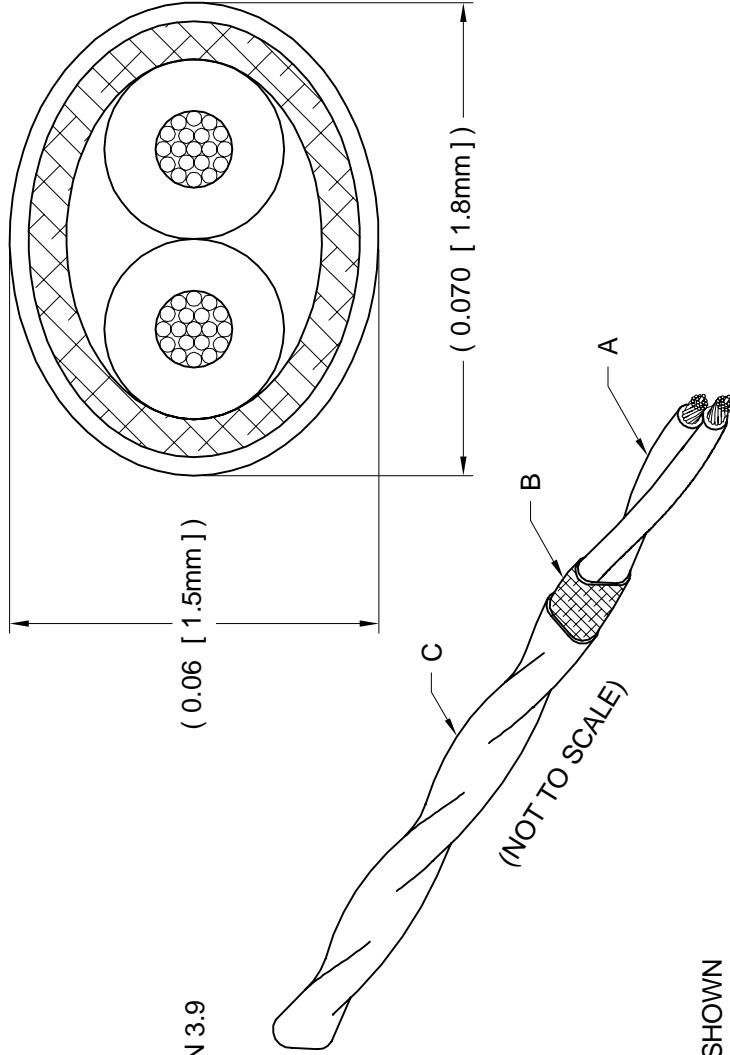
1. IMPEDANCE: $100 \pm 10 \Omega$ MEASURED DIFFERENTIALLY
2. TIME DELAY: (1.30) nSEC / FT [(4.27) nSEC / m]
3. VOLTAGE RATING: 500 V
4. VELOCITY OF PROPAGATION: (80%)
5. CAPACITANCE: (13) pF / FT [(42.6) pF / m]
6. TYPICAL ATTENUATION: 20.9 dB / 100 FT @ 100 MHZ
 23.6 dB / 100 FT @ 200 MHZ
 38.3 dB / 100 FT @ 500 MHZ
 56.9 dB / 100 FT @ 1 GHZ

ATTENUATIONS NOT TO EXCEED +10% OF VALUES SHOWN

NOTES:

1. MINIMUM BEND RADIUS: 0.35 [8.9mm]
2. WEIGHT: (4.8) LBS / 1000 FT [(7.1) Kg / Km]
3. OPERATING TEMPERATURE: -55° C TO +200° C

REVISIONS			
Rev	Description	Date	Chg'd By
A	PRODUCTION RELEASE T.Sharp	18 SEP 2013	DED
B	Update Mechanical and Electrical Data per T.Sharp	03 DEC 2013	DED
C	Update Electrical Data Per G.Lawton Update Mechanical and Electrical Data Per T.Sharp Update Const A Insulation per K.Ritchie	10 NOV 2014	DED
D	Update Construction A Per DCR M.Peterson	18 DEC 2014	GBA
E	EM2 ECO - 7322 M.Frantz	15 DEC 2016	DED
F	EM2 ECO - 7439 M.Frantz	19 JAN 2017	TKG



		W. L. GORE & ASSOCIATES, INC. (Gore) Performance Solutions Division 380 Start Road, Landenberg, PA 19350 610 / 268-1000 © 2013, 2017, W. L. Gore & Associates, Inc.	
By acceptance of this document you agree that all rights to drawings, specifications, processes and other data contained therein, as well as the proprietary and novel features of the subject matter, are reserved by Gore and are disclosed in confidence. They are not to be manufactured, used, sold or disclosed to others, nor are devices embodying such features or information derived from these disclosures to be used or disclosed, unless and until expressly authorized by Gore. These drawings, specifications, processes, etc. are and remain the property of Gore and are not to be copied or reproduced without express permission, and are to be returned upon request thereto.			
Title AWG 3019 100 Ω SHIELDED TWISTED PAIR		Drawn DED	
Sheet 1 of 1		Scale 32:1	
Dwg Size A		Associated Documents N/A	
Rev Date 19 JAN 2017		Drawing Number DXN2605	
PARENTHESES DENOTE REFERENCE DIMENSIONS		UNLESS OTHERWISE SPECIFIED	
DIMENSIONS ARE IN INCHES		.X ± N/A .XX ± N/A .XXX ± N/A .XXXX ± N/A FRACTIONS ± N/A ANGLES ± N/A	
DO NOT SCALE DRAWING DEBURR SHARP EDGES		SURFACE TEXTURE N/A BREAKS AND FILLETS N/A MAX	
Third Angle Projection		INTERPRET DRAWING IN ACCORDANCE WITH ASME Y14.5M-1994 (R1999)	