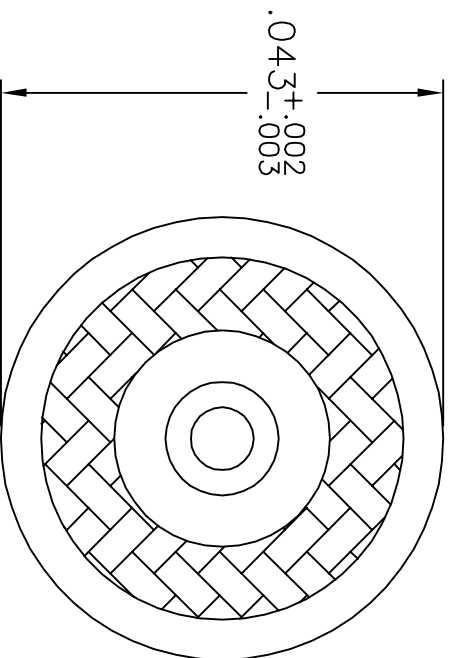
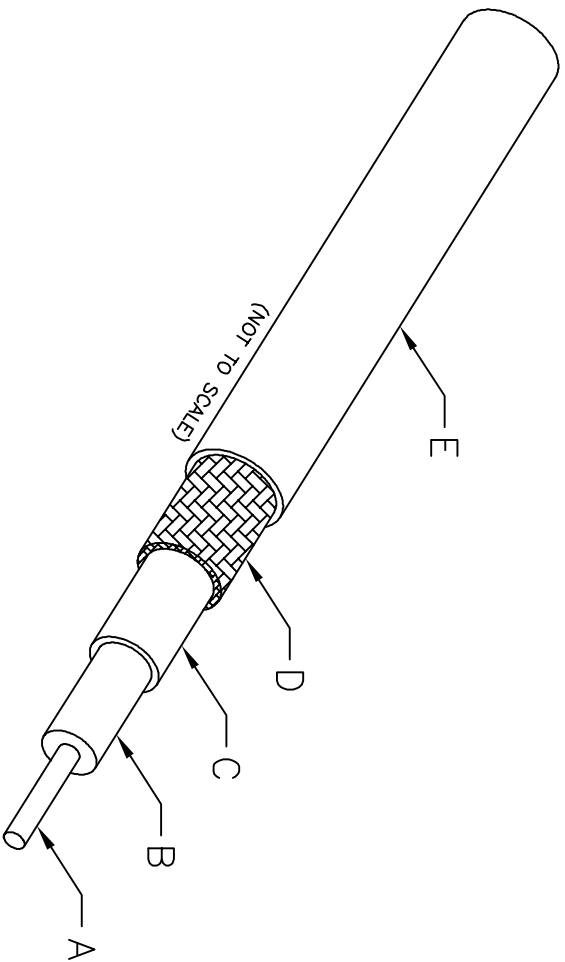


CONSTRUCTION:

- A. FIBER: SPECTRAN SMT-A1310H (155 MICRONS)
- B. BUFFER: ePTFE
- C. INNER JACKET: FLUOROPOLYMER (J800) BLUE
0.005 +0.001/-0.002 WALL
- D. DIAMETER: 0.021 +0.002/-0.005
- E. STRENGTH MEMBER: KEVLAR™
- F. OUTER JACKET: FLUOROPOLYMER (J800) BLUE



REVISIONS			
REV	DESCRIPTION	DATE	CHG'D B
B	REDRAWN: Corrected Inner Jacket Color	27 JAN 2012	-

PARENTHESSES DENOTE REFERENCE DIMENSIONS		UNLESS OTHERWISE SPECIFIED	
DIMENSIONS ARE IN INCHES		.X ± n/a .XX ± n/a .XXX ± n/a .XXXX ± n/a FRACTIONS ± n/a ANGLES ± n/a	
DO NOT SCALE DRAWING DEBURR SHARP EDGES		SURFACE TEXTURE n/a BREAKS AND FILETS n/a MAX	
Third Angle Projection		Title 1.2mm SIMPLEX - SINGLE MODE	
INTERPRET DRAWING IN ACCORDANCE WITH ASME Y14.5M-1994 (R1999)		Dwg Size Sheet A 1 of 1 Scale 50:1 Rev Date 27 JAN 2012	
		W. L. GORE & ASSOCIATES, INC. (Gore) Electronic Products Division LANDEMBERG, PENNSYLVANIA 19350 610/268-1000 © 2012 W. L. Gore & Associates, Inc.	
By acceptance of this document, you agree that all rights to drawings, specifications, processes and other data contained herein, as well as the proprietary and novel features of the subject matter, are reserved by Gore and are disclosed in confidence. They are not to be manufactured, used, sold or disclosed to others, nor are devices embodying such features or information derived from these disclosures to be used or disclosed, unless and until expressly authorized by Gore. These drawings, specifications, processes, etc., are and remain the property of Gore and are not to be copied or reproduced without express permission, and are to be returned upon request therefor.		Associated Documents: PMWPS - 0948 Drawn By: ECL 27 JAN 2012 Rev Level B	

KEVLAR™ IS A REGISTERED TRADEMARK OF DUPONT