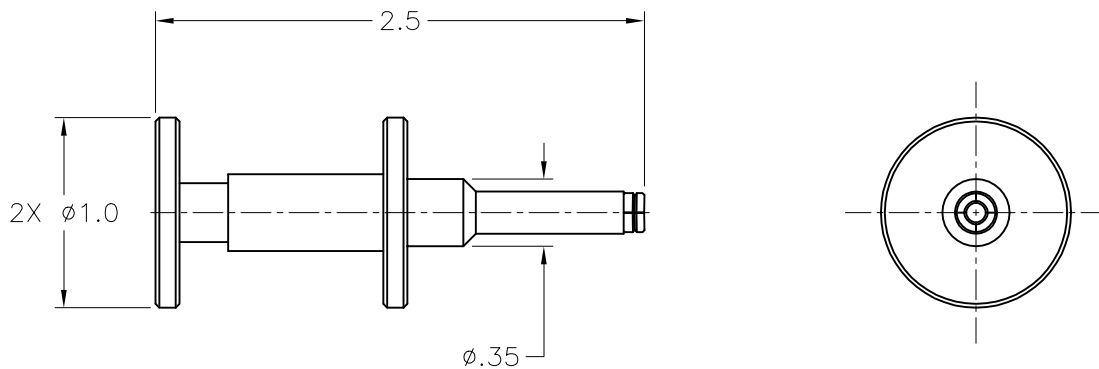


COMPONENT	MATERIAL	FINISH
HOLDER & PUSHER	303 STAINLES STEEL PER ASTM A582	PASSIVATE, QQ-P-35
COLLET & BODY	BeCu TEMPER TD04, ALLOY C17300, ASTM B196	NICKEL PLATE, QQ-N-290
SPRING	MUSIC WIRE	N/A



<i>-2</i>	<i>SMPM</i>	<i>100-123-0064</i>
<i>-1</i>	<i>SMP</i>	<i>100-123-0041</i>
<i>DASH NO.</i>	<i>TYPE</i>	<i>CATALOG NUMBER</i>

NOTE:
ALL DIMENSIONS NOMINAL UNLESS
OTHERWISE SPECIFIED

© 2002 W. L. Gore & Associates, Inc.



W. L. GORE & ASSOCIATES, INC. (Gore)
P.O. BOX 9236, NEWARK, DELAWARE 19714

By acceptance of this document you agree that all rights to drawings, specifications, processes, and other data contained therein, as well as the proprietary and novel features of the subject matter, are reserved by Gore and are disclosed in confidence. They are not to be manufactured, used, sold or disclosed to others, nor are devices embodying such features or information derived from these disclosures to be used or disclosed, unless and until expressly authorized by Gore. These drawings, specifications, processes, etc., are and remain the property of Gore and are not to be copied or reproduced without express permission, and are to be returned upon request therefor.

INSERTION/EXTRACTION TOOL N/A	TITLE BULLET INSTALLATION/EXTRACTION TOOL		
MOUNTING PROCEDURE N/A	CATALOG NUMBER <i>PER TABLE</i>	DRAWING NUMBER 508A10796-#	REV. A