



Packaging Vents

D17 MOLDED COMPONENTS

D17 Molded Components for containers from 5 – 60 l

HOW DO GORE® PACKAGING VENTS WORK?

GORE® Packaging Vents offer the ideal combination of liquid resistance and airflow through the use of expanded polytetrafluoroethylene (ePTFE). The material's microporous nature allows airflow and equalizes pressure, even after contact with high viscosity or low surface tension liquids.

DESCRIPTION

The D17 consists of a white polyethylene plastic housing with protective cap for splash protection and a 100% ePTFE membrane that can be engineered with a variety of different properties to meet the needs of the specific application. D17 Molded Components fit the same standard Gore installation specification as the D15.

TYPICAL APPLICATIONS

Venting of containers with:

- Bleach
- Peracetic acid and peroxide based formulations as well as liquids containing organic solvents and surfactants
- Fertilizers



REALIZE THE BENEFITS

- **Equalize pressure** and prevent containers from bursting, collapsing or leaking
- **Prevent liquid penetration** to avoid contamination and maintain product quality
- **Continue to vent** even after exposure to liquids containing organics, surfactants, oils and solvent based liquids
- **Oleophobic, hydrophobic, chemically inert** ePTFE GORE™ Membrane is ideal for a variety of applications
- **100% online quality control including individual laser marking** allows for full product traceability, even after use

D17 Molded Components			
Laminate/Membrane	CVL SB2	CVL SC5	CVL SE0
Plastic material	Polyethylene natural (HDPE)		
Backing	PP	PE/PP	N/A
Water entry pressure	> 0.6 bar	> 0.6 bar	> 0.5 bar
Typical airflow at $\Delta p = 12$ mbar	3.0 l/h	3.6 l/h	1.2 l/h
Part number	CMF300159	CMF300181	CMF300176



Packaging Vents

D17 MOLDED COMPONENTS

INSTALLATION

See installation guidelines for more information.

Samples of GORE® Molded Components are available for immediate shipment, to assist you in testing their suitability for your specific application.

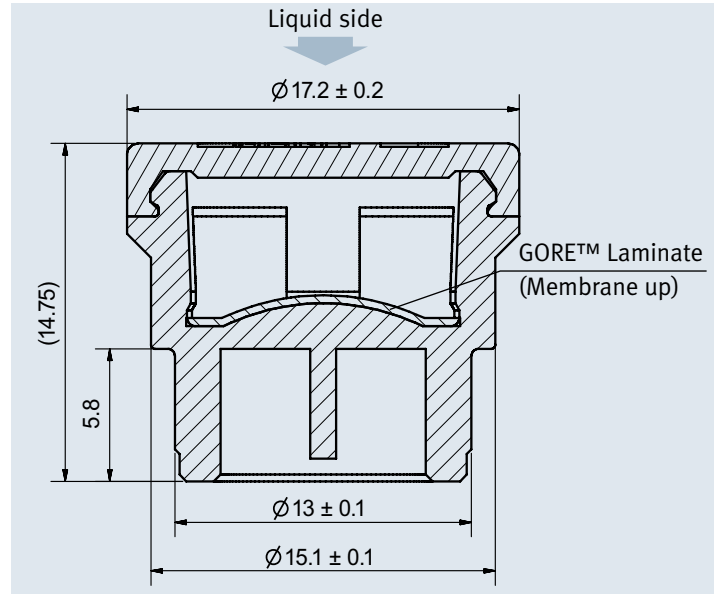
Contact a Gore representative for assistance in determining the best GORE® Packaging Vent for your application, or for help in validating your packaging design and providing an Application Testing Sheet.

HIGH QUALITY ASSURANCE AND TRACEABILITY



Immediately after the production process, 100% of GORE® D17 Molded Components undergo airflow testing as well as visual control. This ensures that all components that are going to be delivered meet the specifications and are free of damage or contamination. In addition, all GORE® D17

Molded Components are laser marked, which allows for identifying and tracking the laminate type used, all relevant process data as well as the lot numbers of intermediates. The result is improved traceability, even after use, quality and peace of mind for our customers.



When choosing GORE® Molded Components for venting purposes of hazardous goods please consider the following regulations and agreements:

- UN Recommendations on the Transport of Dangerous Goods – Model Regulations Part 4; Chapter 4.1.1.8
- European Agreement concerning the International Carriage of Dangerous Goods by Road (ADR) ADR Part 4; Chapter 4.1.1.8
- US Hazardous Materials Regulations HMR; Title 49 CFR, 173.24 (g), (1), (2), (3), (4), (5)

Laminate/Membrane	CVL SB2	CVL SC5	CVL SE0
For water-based liquids	✓	✓	✓
For liquids containing surfactants, oils, organics and solvents	✓	✓	✓
Drop-test optimized	✓	✓+	✓
For liquids with very low surface tension			✓

INTERNATIONAL CONTACTS

Australia	61.2.9473.6800	Mexico	52.81.8288.1281
Benelux	49.89.4612.2211	Scandinavia	46.31.706.7800
China	86.21.5172.8299	Singapore	65.6733.2882
France	33.1.5695.6565	South America	55.11.5502.7800
Germany	49.89.4612.2211	Spain	34.93.480.6900
India	91.22.6768.7000	Taiwan	886.2.8771.7799
Italy	39.045.6209.240	United Kingdom	44.1506.460123
Japan	81.3.6746.2572	USA	1.410.392.4440
Korea	82.2.393.3411		

FOR INDUSTRIAL USE ONLY. Not for use in food, drug, cosmetic or medical device manufacturing, processing, or packaging operations.

All technical information and advice given here is based on Gore's previous experiences and/or test results. Gore gives this information to the best of its knowledge, but assumes no legal responsibility. Customers are asked to check the suitability and usability in the specific application, since the performance of the product can only be judged when all necessary operating data are available. The above information is subject to change and is not to be used for specification purposes.

Gore's terms and conditions of sale apply to the sale of the products by Gore.

GORE and designs are trademarks of W. L. Gore & Associates
© 2011 W. L. Gore & Associates, Inc.

W. L. Gore & Associates, Inc.

401 Airport Road • P.O. Box 1550 • Elkton, MD 21922-1550 • USA
Phone: 410.392.4440 • Toll-Free: 800.637.4449 • Fax: 410.506.8749 (US)
Email: packvent@wlgore.com

gore.com/packvents

