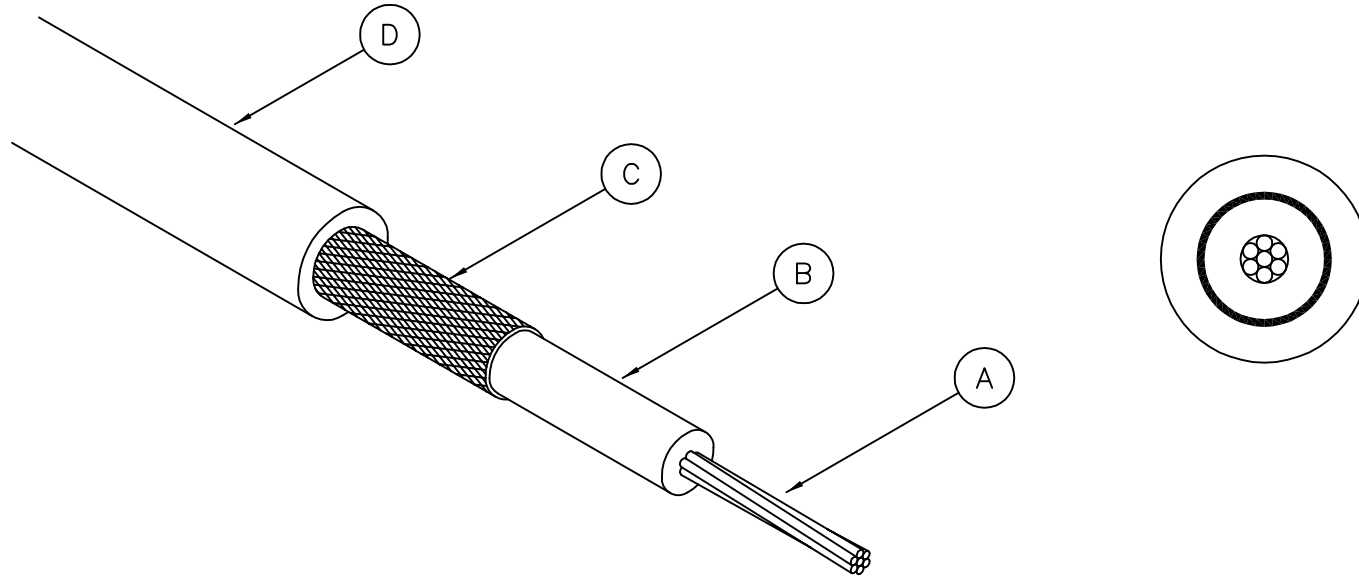


REVISIONS

LTR.	DESCRIPTION	DATE
A	Added Voltage Rating	12/92
B	Corrected OD's & V of P	1/93
C	Added UL Note	1/93



- A. Conductor: AWG 24(7/32) Silver Plated Copper, 0.024" dia. nominal
- B. Dielectric: FEP, Clear, 0.070" dia. nominal
- C. Shield: AWG 38(1) SPC, Braid, .086" Nom
- D. Jacket: BLACK, FEP, 0.009" thick, 0.104" nominal dia.

Voltage Rating: 4KVDC
 FEP is flame rated to UL-94V-0

REQUIREMENTS

1. Characteristic Impedance, ohms	50 ±5
2. Capacitance, pf/ft.	32 Nom
3. Inductance, uh/ft.	.08 Nom
4. Velocity of Propagation, % of air	71 Nom
5. Attenuation, Db/100 ft.	14 @ 400MHz
6. Weight, lb/1000 ft.	12.5 Nom

PROPRIETARY NOTE

W. L. GORE & ASSOCIATES, INC.
 PROPRIETARY DATA

The data and information disclosed hereon is furnished upon the following understanding and agreement:

By acceptance of this document you agree that all rights to the drawings, specifications, processes, and other data contained therein, as well as the proprietary and novel features of the subject matter, are reserved by W.L. Gore and are disclosed in confidence. They are not to be manufactured, used, sold or disclosed to others, nor are devices embodying such features or information derived from these disclosures to be used or disclosed, unless and until expressly authorized by W. L. Gore. These drawings, specifications, processes, etc. are and remain the property of W.L. Gore and are not to be copied or reproduced without express permission, and are to be returned upon request therefor.

W. L. GORE & ASSOCIATES, INC.

555 Paper Mill Road
 Newark, Delaware 19711
 Phone: 302/738-4880 * FAX 302/738-7710



TITLE				
CHK'D BY	DATE	DRW'N BY	DATE	
		SDL	12/14/92	
APPROVED BY	DATE	SIZE	DWG. NO.	REV.
		A	CXN2658	C