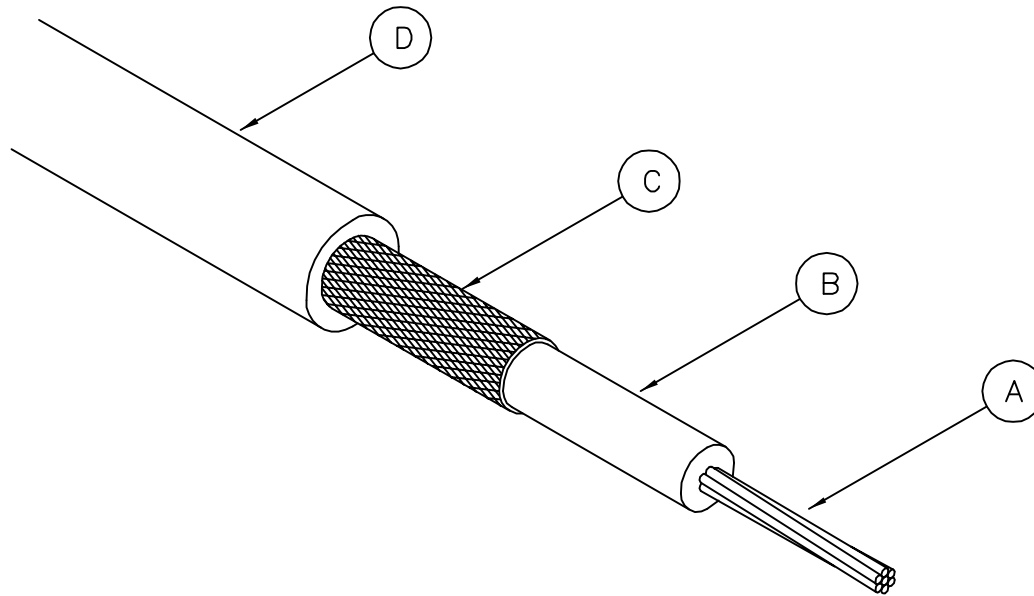


REVISIONS

LTR.	DESCRIPTION	DATE	CHNG'D BY
—	Released For Production	07/29/99	—
A	Text Changes For Copyright Compliance	10 OCT 2005	EL



- | | | |
|----|--|---------------|
| A. | Conductor: AWG 24(7/32) SILVER PLATED COPPER | .0240" |
| B. | Dielectric: ePTFE | |
| C. | Shield: AWG 38(1) SPC BRAID | |
| D. | Jacket: .006" WALL OF BLUE FEP | .124" nominal |

REQUIREMENTS

- | | |
|--------------------------------------|---------------|
| 1. Characteristic Impedance, ohms | 75 ±5 |
| 2. Capacitance, pf/ft. | 16 nominal |
| 3. Velocity of Propagation, % of air | 85 estimated |
| 4. Attenuation, Db/100 ft. | 7.9 @ 400 MHz |
| 5. Operating Temperature, °C | -55 to 200 |

PROPRIETARY NOTE

W. L. GORE & ASSOCIATES, INC.
PROPRIETARY DATA

The data and information disclosed hereon is furnished upon the following understanding and agreement:

By acceptance of this document you agree that all rights to the drawings, specifications, processes, and other data contained therein, as well as the proprietary and novel features of the subject matter, are reserved by W.L. Gore and are disclosed in confidence. They are not to be manufactured, used, sold or disclosed to others, nor are devices embodying such features or information derived from these disclosures to be used or disclosed, unless and until expressly authorized by W. L. Gore. These drawings, specifications, processes, etc. are and remain the property of W.L. Gore and are not to be copied or reproduced without express permission, and are to be returned upon request therefor.

W. L. GORE & ASSOCIATES, INC.

555 Paper Mill Road
Newark, Delaware 19711

Phone: 302/738-4880 * FAX 302/738-7710



TITLE

HIGH PERFORMANCE COAX

CHK'D BY	DATE	DRW'N BY	DATE
		RRH	07/29/99
APPROVED BY	DATE	SIZE	DWG. NO.
		A	CXN3306

REV. A