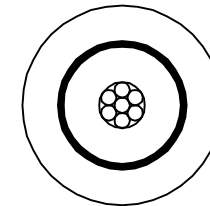
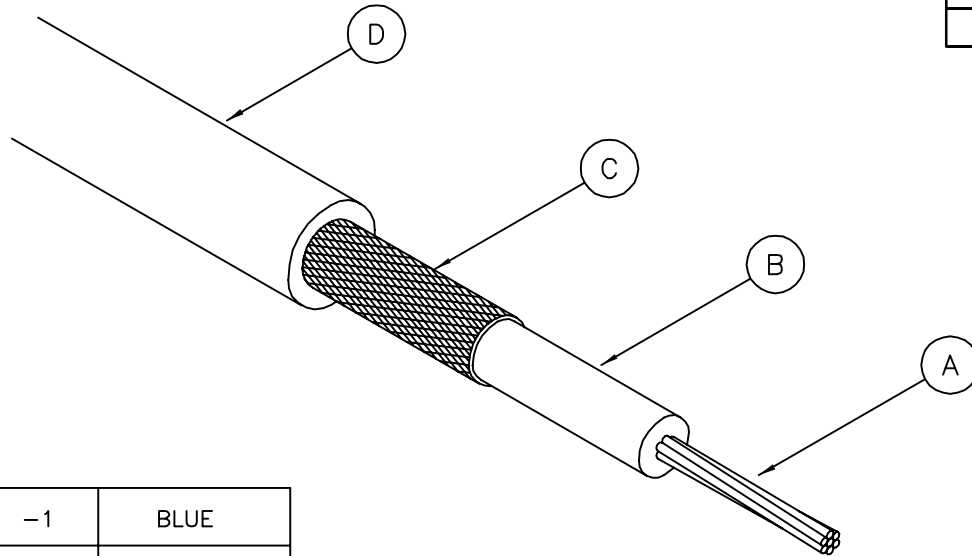


REVISIONS

LTR.	DESCRIPTION	DATE	CHN'G BY
A	RELEASED TO PRODUCTION	7/19/04	-
B	ADDED COLOR CHART AND DASH OPTIONS	21 DEC 2004	EL



-1	BLUE
-0	GRAY
DASH	COLOR

CONSTRUCTION

- A. CONDUCTOR: AWG 32(7/40) SPC, 0.0093"
- B. DIELECTRIC: .0085" WALL OF FEP
- C. SHIELD: AWG 44(1) SPC BRAID
- D. JACKET: .004" WALL FEP, .045" ± .002"
COLOR- SEE DASH TABLE

REQUIREMENTS

- 1. IMPEDANCE (OHMS): 50 ±3
- 2. CAPACITANCE (pF/ft): 29 nominal
- 3. ATTENUATION (dB/100 ft): 36 @ 400 MHz
- 4. TEMPERATURE RATING: - 55C to 200C

PROPRIETARY NOTE

W. L. GORE & ASSOCIATES, INC.
PROPRIETARY DATA

The data and information disclosed hereon is furnished upon the following understanding and agreement:

By acceptance of this document you agree that all rights to the drawings, specifications, processes, and other data contained therein, as well as the proprietary and novel features of the subject matter, are reserved by W.L. Gore and are disclosed in confidence. They are not to be manufactured, used, sold or disclosed to others, nor are devices embodying such features or information derived from these disclosures to be used or disclosed, unless and until expressly authorized by W. L. Gore. These drawings, specifications, processes, etc. are and remain the property of W.L. Gore and are not to be copied or reproduced without express permission, and are to be returned upon request therefor.

W. L. GORE & ASSOCIATES, INC.

555 Paper Mill Road
Newark, Delaware 19711
Phone: 302/738-4880 * FAX 302/738-7710



TITLE

PRECISION COAXIAL CABLE

CHK'D BY	DATE	DRW'N BY	DATE
		CLF	7/19/04
APPROVED BY	DATE	SIZE	DWG. NO.
		A	CXN3515-X
			REV. B