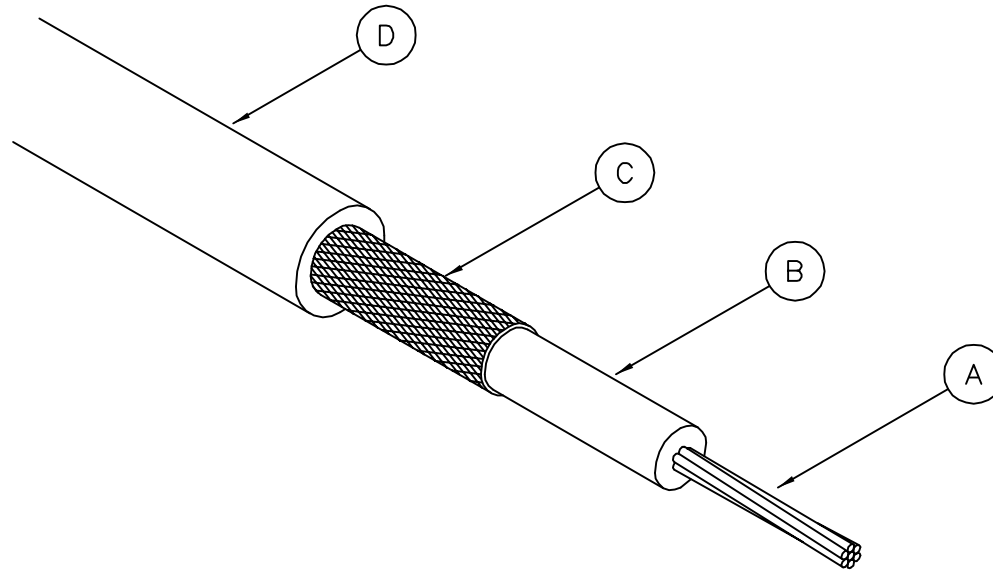


REVISIONS

LTR.	DESCRIPTION	DATE	CHNG'D BY
A	Released For Production	08/01/01	—
B	Text Changes For Copyright Compliance	10 OCT 2005	EL



- | | | |
|----|--|--------|
| A. | Conductor: AWG 28(7/36) Silver Plated Copper | .0150" |
| B. | Dielectric: ePTFE | .039" |
| C. | Shield: AWG 40(1) Silver Plated Copper Braid | .052" |
| D. | Jacket: Blue FEP | .064" |


REQUIREMENTS

- | | |
|--------------------------------------|-----------------|
| 1. Characteristic Impedance, ohms | 50 ±3 |
| 2. Capacitance, pf/ft. | 25 Max |
| 3. Velocity of Propagation, % of air | 85 |
| 4. Attenuation, Db/100 ft. | 41.0 @ 1000 MHz |
| 5. Operating Temperature, °C | -55 to 200 |

PROPRIETARY NOTE
W. L. GORE & ASSOCIATES, INC.
PROPRIETARY DATA

The data and information disclosed hereon is furnished upon the following understanding and agreement:

By acceptance of this document you agree that all rights to the drawings, specifications, processes, and other data contained therein, as well as the proprietary and novel features of the subject matter, are reserved by W.L. Gore and are disclosed in confidence. They are not to be manufactured, used, sold or disclosed to others, nor are devices embodying such features or information derived from these disclosures to be used or disclosed, unless and until expressly authorized by W. L. Gore. These drawings, specifications, processes, etc. are and remain the property of W.L. Gore and are not to be copied or reproduced without express permission, and are to be returned upon request therefor.

W. L. GORE & ASSOCIATES, INC. 555 Paper Mill Road Newark, Delaware 19711 Phone: 302/738-4880 * FAX 302/738-7710				
TITLE GORE-FLEX CABLE				
CHK'D BY	DATE	DRW'N BY	DATE	
		RRH	08/01/01	
APPROVED BY	DATE	SIZE	DWG. NO.	
		A	CXN3403	
			REV. B	