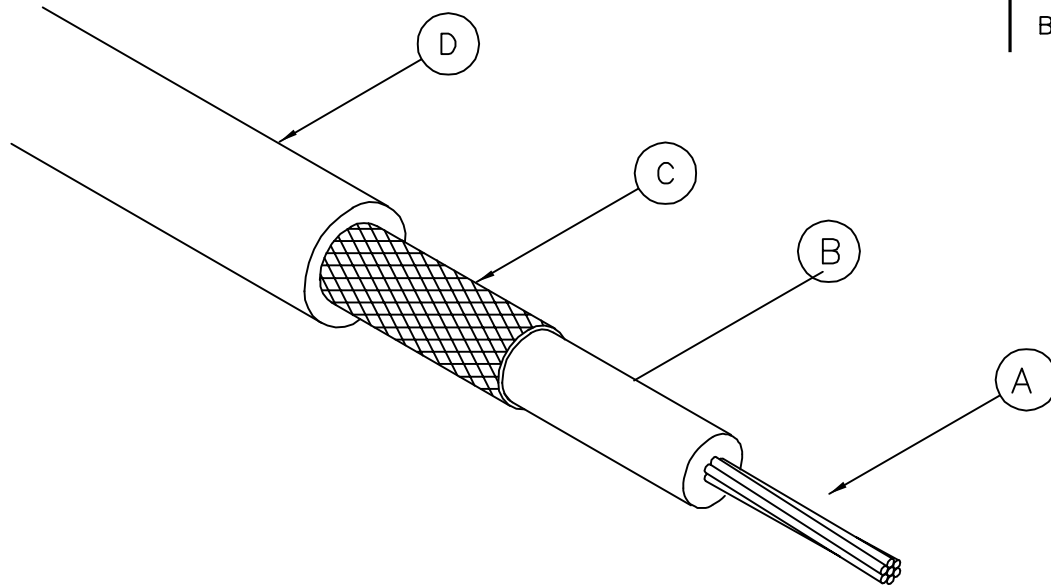


REVISIONS

LTR.	DESCRIPTION	DATE
1P	Initial Prototype Drawing	01/11/99
A	Release to Production	12/04/02
B	Reduced VP from 85% Changed dielectric OD from Max. Changed Capacitance from 29	1/15/03



®GORE-TEX is a registered trademark of W.L. Gore & Assoc.

ITEM	DESCRIPTION	CONSTRUCTION DETAILS
A.	Conductor:	AWG 30(7/38), Silver Plated Copper, $\phi.012$ "
B.	Dielectric:	GORE-TEX® Composite, $\phi.035$ " NOM.
C.	Shield:	AWG 38(1), Silver Plated Copper Braid
D.	Jacket:	Blue FEP, .006" thick, $\phi.060$ " NOM.

REQUIREMENTS

1. Characteristic Impedance, ohms 50 ±3
2. Capacitance, pf/ft. 27 Nom.
3. Velocity of Propagation, % of air 76 ± 2%
4. Operating Temperature, °C -55 to +200
5. Dielectric Strength, V RMS 500



W. L. GORE & ASSOCIATES, INC.
 750 Ott's Chapel Road
 Newark, Delaware 19714
 Phone: 302/368-2575 * FAX 302/737-2819

TITLE					
HIGH PERFORMANCE COAXIAL CABLE					
CHK'D BY	DATE	ENG'R	DATE		
		RRH	01/11/00		
APPROVED BY	DATE	SIZE	DWG. NO.	REV.	
		A	CXN3332	B	