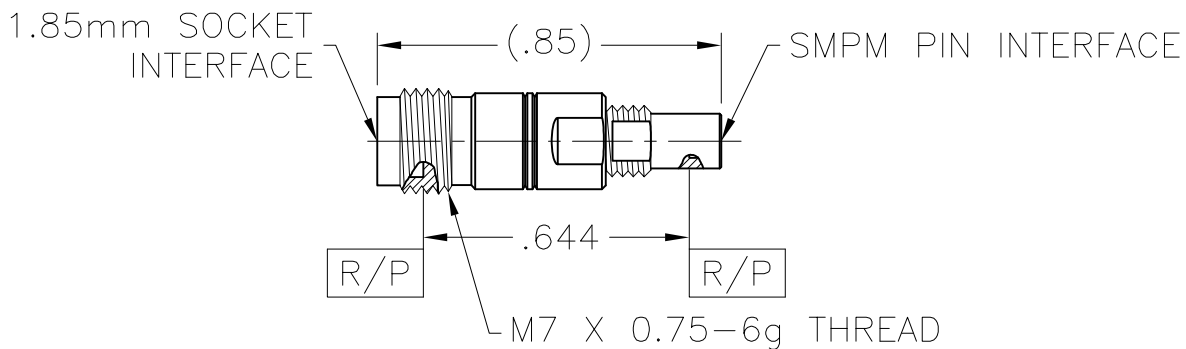
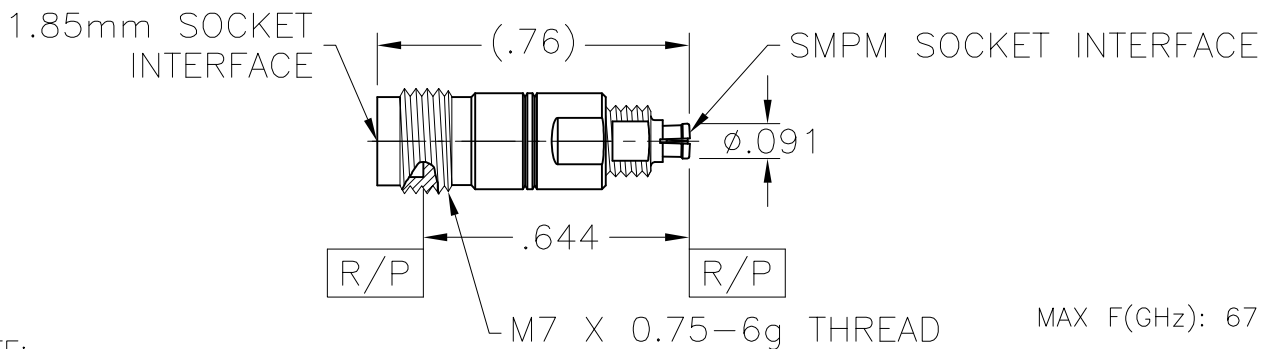


COMPONENT	MATERIAL	FINISH
CONTACT	BeCu TEMPER TD04, ALLOY C17300, ASTM B196	GOLD PLATE PER ASTM B-488 50 MICRONS MIN. OVER NICKEL PLATE PER MIL-C-26074, 30 MICRONS MIN.
INSULATORS	PTFE, ASTM D1710, TYPE I, GRADE 1, CLASS A, AND ULTEM PER ASTM D5205	-
SMPM SOCKET BODY	BeCu TEMPER TD04, ALLOY C17300, ASTM B196	GOLD PLATE PER ASTM B-488 50 MICRONS MIN. OVER NICKEL PLATE PER QQ-N-290, 50 MICRONS MIN.
2.4mm BODY/ SMPM SHROUD	303 STAINLESS STEEL COND. A PER ASTM A582	PASSIVATE PER QQ-P-35C, TYPE II

**100-123-0169**  
**1.85mm Socket<>SMPM Full Detent Pin**



**100-123-0170**  
**1.85mm Socket<>SMPM Socket**



NOTE:  
ALL DIMENSIONS NOMINAL UNLESS  
OTHERWISE SPECIFIED

© 2003 W. L. Gore & Associates, Inc.



W. L. GORE & ASSOCIATES, INC. (Gore)  
P.O. BOX 9236, NEWARK, DELAWARE 19714

By acceptance of this document you agree that all rights to drawings, specifications, processes, and other data contained therein, as well as the proprietary and novel features of the subject matter, are reserved by Gore and are disclosed in confidence. They are not to be manufactured, used, sold or disclosed to others, nor are devices embodying such features or information derived from these disclosures to be used or disclosed, unless and until expressly authorized by Gore. These drawings, specifications, processes, etc., are and remain the property of Gore and are not to be copied or reproduced without express permission, and are to be returned upon request therefor.

INSERTION/EXTRACTION TOOL -	TITLE 1.85mm SOCKET<>SMPM TEST ADAPTER		
MOUNTING PROCEDURE -	CATALOG NUMBER <b>SEE ABOVE</b>	DRAWING NUMBER 510A10466	REV. A